

ALPS RK27112 "Das Blaue" 50K linear stereo High-Grade/High-End Audio-Potentiometer



potentiometer4audio.de

Gabriele Perdomo
Im Brühl 72
75443 Ötisheim
Deutschland

info@familygate.eu
Tel. +49 7041 8141686

Customer : _____

No. _____

Attention : _____

Date : _____

Your ref. No. : _____

Your Part No. : _____

SPECIFICATIONS

PURPOSE OF THIS DOCUMENT;

ALPS' ;

- PRELIMINARY copy.
- Request for your APPROVAL.
(New, Engineering Change)
Please sign and return one copy.

RK271122002LA

MODEL: (50kBX2)

Spec. No. : 4K272A-63

APPROVED BY, Date: _____

Fig.No.: K272A0A0G

X

Name

Title

- For PRODUCTION.

REMARKS:	
MARKING	
ON ALL UNITS	
DATE CODE	
RESIST, VALUE	
TAPER	
TRADE MARK	
JAPAN	
FURNISH PACKAGE	
NUT	
WASHER	



ALPS ELECTRIC CO., LTD.

HEAD OFFICE

1-7, YUKIGAYA-OHTSUKA-CHO,
OHTA-KU, TOKYO 145 JAPAN

DSG'D

S. Sugawara

APP'D

Y. Kanagaki

ENG. DEPT. WAKUYA DIVISION

CLASSNO. TITLE SPECIFICATIONS

ELECTRICAL

1. Total resistance tolerance: Nominal $\pm 20\%$ ($10K\Omega \leq R \leq 2M\Omega$)
2. Maximum operating voltage: 30V A.C.
3. Resistance taper: See taper figure
4. Residual resistance between terms 1&2 3 Ω max.
Residual resistance between terms 2&3 3 Ω max.
5. Slider noise: less than 47mV (by method of JIS C 6443)
6. Insulation resistance: 100M Ω min. at 500V D.C.
7. Dielectric strength: Units shall be designed to withstand 500V A.C. 50Hz R.M.S. between resistance element and case for a period of one minute without damage or arcing
8. Gang error: 2dB max. at click position.

Measure between R1&R2

$$\left(\frac{\text{term 1-2 output V}}{\text{term 1-3 in out V}} \right)$$

MECHANICAL

1. Total rotation angle: $300^\circ \pm 3'$
2. Rotational torque: 60~350 gf \cdot cm (at 20 $^\circ$ C)
3. Shaft end stop strength: 9kgf \cdot cm min.
4. Resistance to soldering heat: After soldering (less than 350 $^\circ$ C and quicker than 5 seconds) there shall be no evidence of poor contact between resistance element and terminals, or any physical damages as a result of the test
5. Nut tightening strength: 15kgf \cdot cm min.
(Pay attention as following otherwise the strength may not be assured)
6. Shaft push / pull strength:
No damages with an application of push or pull force 10kgf for 10 seconds
7. Detent position: $150^\circ \pm 3'$
8. Detent torque: Rotational torque+ (50 ~ 300)gf \cdot cm



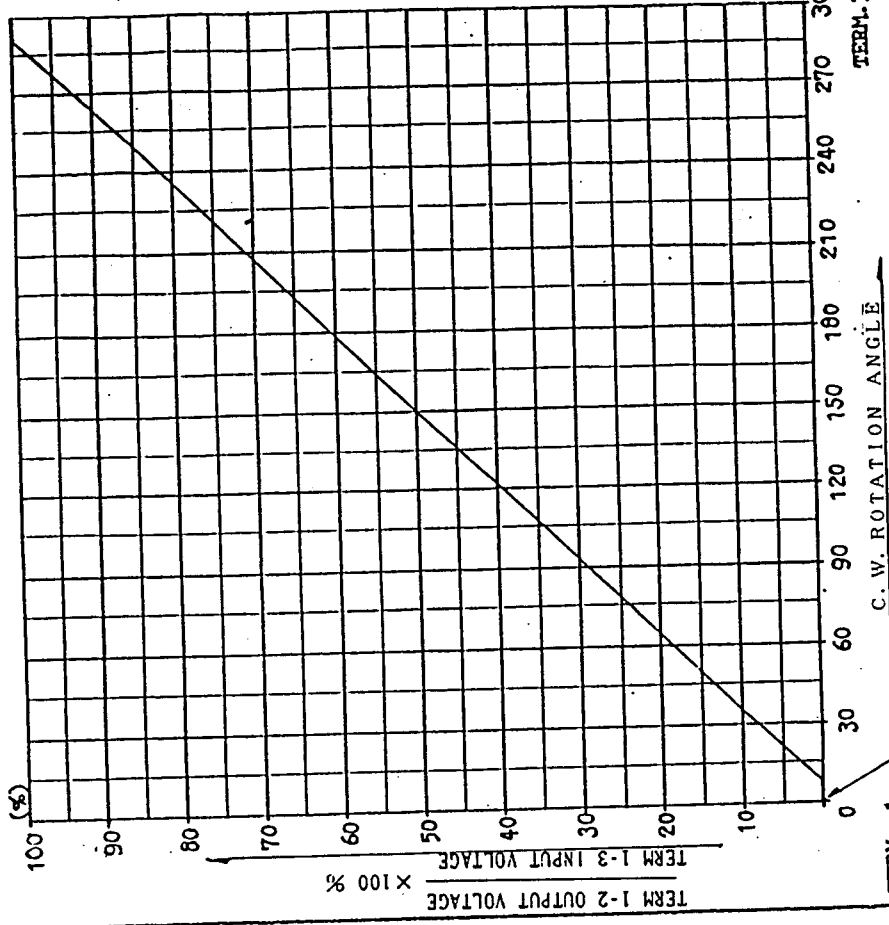
ENDURANCE

1. Rotational life: 15,000 cycles min.

NOTE

1. The items except above mentioned items shall meet or exceed JIS C 6443.

TAPERED CURVE :ALPS "B"



TERM. 1 FULL C.C.W POSITION TERM. 3

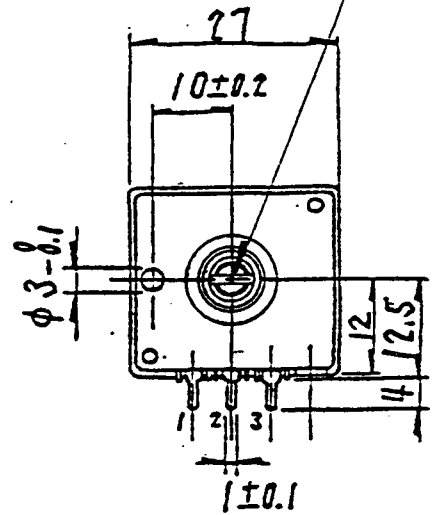
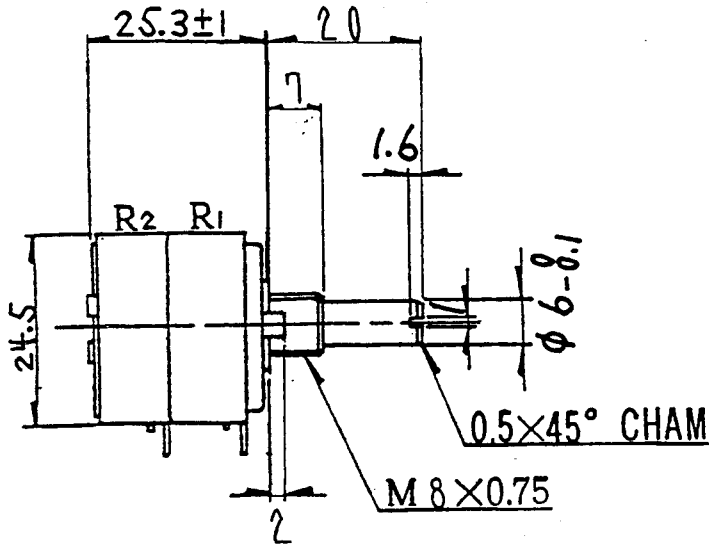
At 150 $^\circ$ C.W. shaft rotation from full C.C.W. position. voltage percent shall fall within limits of 40 ~ 60 percent.

SYMB	DATE	APPD	CHKD	DSCD	TITLE
					ALPS ELECTRIC CO., LTD.
					APPD: <i>Jan 28 Mar 1 88</i> CHKD: <i>Feb 24 88</i> DSCD: <i>Feb 24 88</i>
					DOCUMENT NO. 4K272A-63 (/)

SYMB	DATE	APPD	CHKD	DSCD	NAME	RESISTANCE TAPER
					Y. Oshimada	HSB 01
					SEP-17-80	DWG. NO
					Y. Oshimada	RESISTANCE TAPER

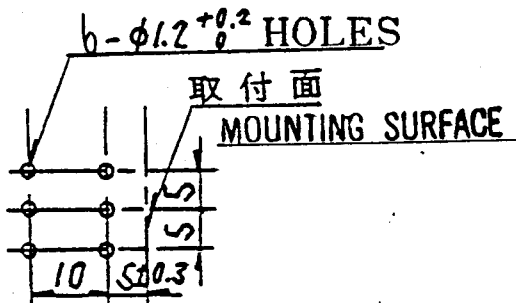
SHAFT SLOT IS OPTIONAL ANGLE

スリ割角度は任意とする。



P.W.B. MOUNTING DETAIL
TOLERANCE ±0.1
VIEWED FROM MOUNTING SIDE

取付穴寸法図
許容差±0.1(挿入側より)



許容差の指定なき寸法の公差		
TOLERANCES UNLESS OTHERWISE SPEC		
BASIC DIMENSIONS	TOLERANCE	
$L \leq 10$	±0.3	
$10 < L < 100$	±0.5	
$100 \leq L$	±0.8	
角度 ANGULAR DIMENSION	±5°	

							300±3°		
							23.2g		
部	番	名	称	材	料	規	格	処	理
..	三角法	単位 mm	尺度	150°	CLICK	
..	承認	照査	設計	図名		
..	承認	照査	設計	1軸2連小型ダイテントVR組立図		
..	承認	照査	設計	図番		
..	承認	照査	設計	K272A0A0G		
記号	年月日	承認	照査	設計	59.1.20				