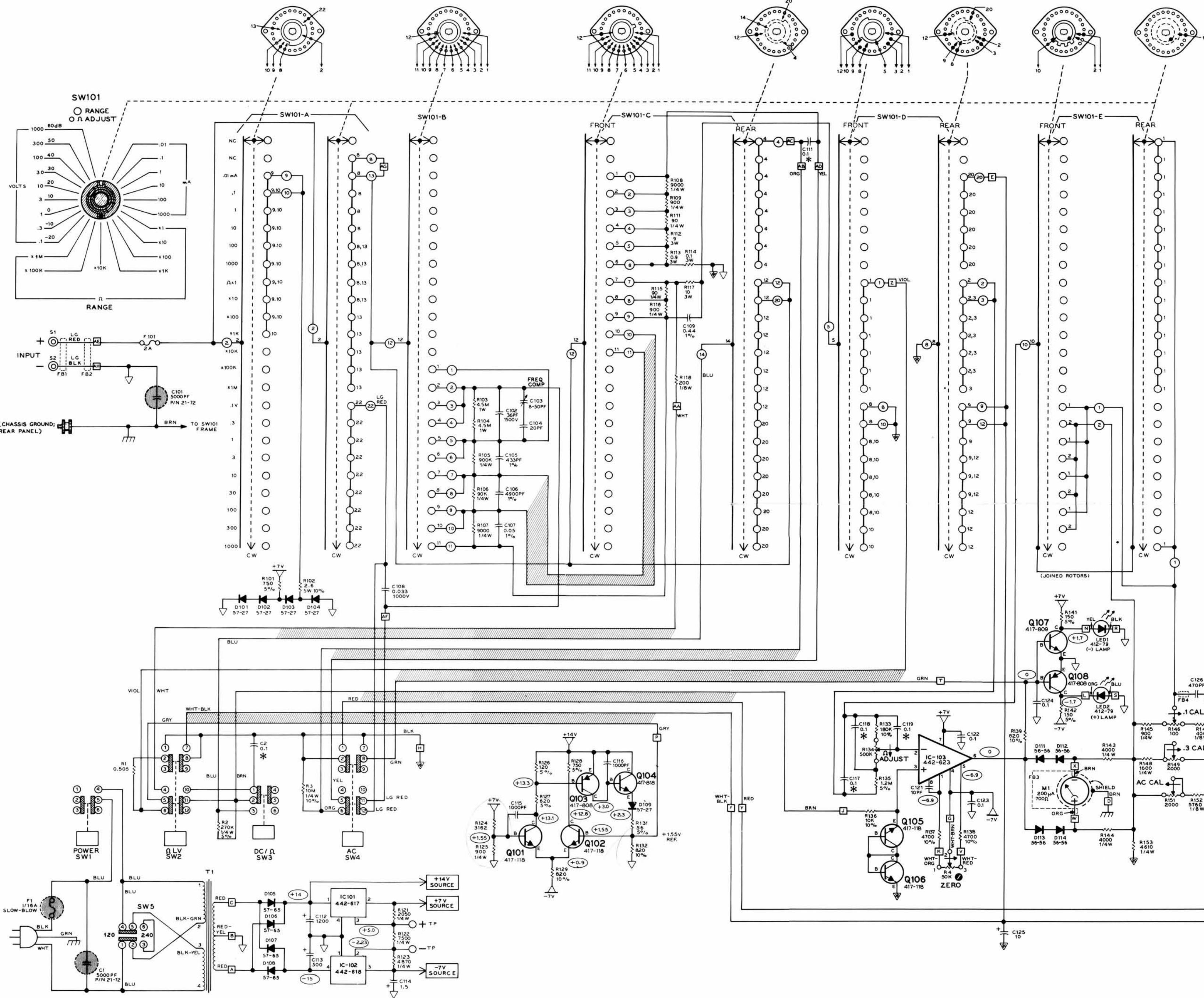


# SCHEMATIC OF THE HEATHKIT® FET MULTIMETER MODEL IM/SM-5225



**NOTES:**

1. CHASSIS PARTS 1-99; CIRCUIT BOARD PARTS 101-199.
2. RESISTOR VALUES ARE IN OHMS (K=1,000; M=1,000,000).
3. RESISTORS ARE 1/2-WATT, 1% UNLESS OTHERWISE NOTED.
4. CAPACITORS ARE IN  $\mu$ F UNLESS OTHERWISE NOTED.
5. SCHEMATIC SYMBOLS:
  - INDICATES SWITCH LUG CONNECTION.
  - INDICATES WIRE CONNECTION TO THE CIRCUIT BOARD.
  - ▽ INDICATES CIRCUIT GROUND (POWER).
  - ▽ INDICATES LOW-NOISE GROUND.
  - ⏏ INDICATES CHASSIS (EARTH) GROUND.
  - INDICATES DC VOLTAGE READING USING A HIGH IMPEDANCE (10M $\Omega$  OR HIGHER) VOLTMETER FROM THE "-" INPUT JACK TO THE MEASUREMENT POINT. VOLTAGES MAY VARY  $\pm$ 20%.
6. RANGE SWITCH IS SET TO THE ILLUSTRATED POSITION; FUNCTION SWITCH IS IN DC/ $\Omega$  POSITION.
  - ↻ ARROW INDICATES CLOCKWISE ROTATION OF CONTROL AS VIEWED FROM KNOB END.
  - INDICATES FRONT PANEL CONTROL.
  - \* INDICATES MYLAR CAPACITOR.
  - NC MEANS NO CONNECTION.
7. PARTS IN SHADED AREAS ARE CRITICAL FOR CONTINUED SAFETY. REPLACE ONLY WITH HEATH COMPANY PART.
8. REFER TO THE "CIRCUIT BOARD X-RAY VIEW" FOR LOCATION OF PARTS.
9. SWITCH (SW101) WAFERS ARE VIEWED FROM FRONT (KNOB) END OF SWITCH. ● ON WAFER INDICATES ELECTRICAL THROUGH-CONNECTION FROM FRONT SIDE TO REAR SIDE AT A LUG OR ROTOR.
10. FB INDICATES FERRITE BEAD.

Part of 595-1934

Copyright © 1977  
Heath Company  
All Rights Reserved  
Printed in the United States of America